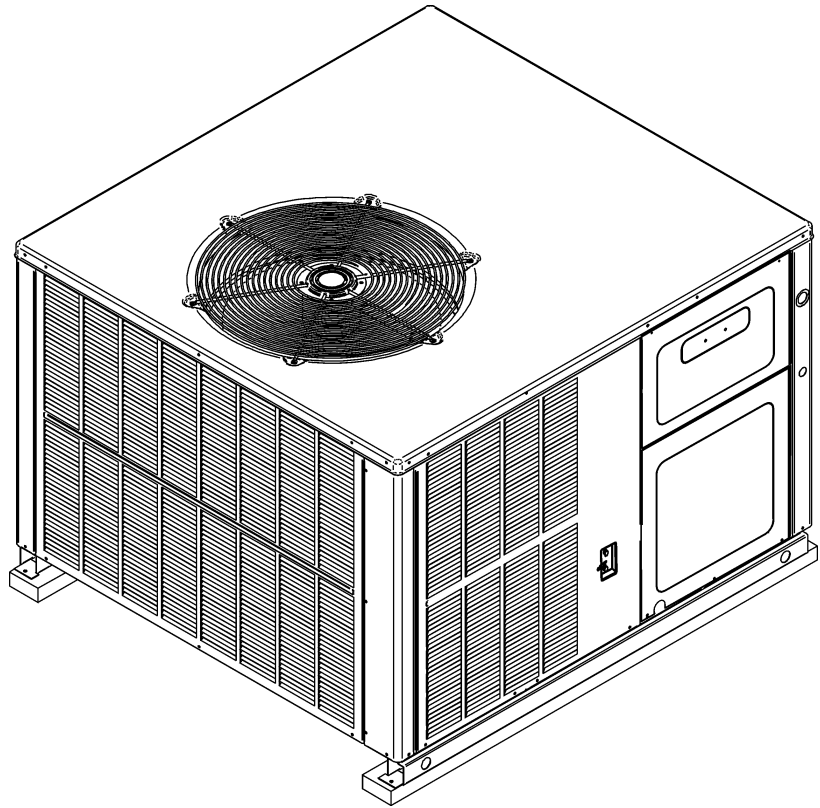


GPC14 "M" Series Residential Package Cooling Unit

GPC1424M41AA
GPC1430M41AA
GPC1436M41AA
GPC1442M41AA
GPC1448M41AA
GPC1460M41AA



This manual is to be used by qualified technicians only.

© 2014 Goodman Company, L.P. ♦ 5151 San Felipe St., Suite 500 ♦ Houston, TX 77056

Important Information

Index

Functional Parts List	3
Illustration and Parts	4 - 11

Views shown are for parts illustrations only, not servicing procedures

2015 Ready Models

Text Codes:

AR - As Required

NA - Not Available

NS - Not Shown

00000000 - See Note

QTY - Quantity Example (QTY 3) (If Quantity not shown, Quantity = 1)

M - Model Example (M1) (If M Code not shown, then part is used on all Models)

Expanded Model Nomenclature:

Example M1 - Model#1 M2 - Model#2 M3 - Model#3

Goodman Company, L.P. is not responsible for personal injury or property damage resulting from improper service. Review all service information before beginning repairs.

Warranty service must be performed by an authorized technician, using authorized factory parts. If service is required after the warranty expires, Goodman Company, L.P. also recommends contacting an authorized technician and using authorized factory parts.

Goodman Company, L.P. reserves the right to discontinue, or change at any time, specifications or designs without notice or without incurring obligations.

For assistance within the U.S.A. contact:

Consumer Affairs Department

Goodman Company, L.P.

7401 Security Way

Houston, Texas 77040

877-254-4729-Telephone

713-863-2382-Facsimile

For assistance outside the U.S.A. contact:

International Division

Goodman Company, L.P.

7401 Security Way

Houston, Texas 77040

713-861-2500-Telephone

713-863-2382-Facsimile

Functional Parts

Part

No: Description:

50N492ZV-ZAKM	2.0TONRECHI COMPR.4 LEGS (M1)
D6723303	BLOWER WHEEL
CAP100700440CT	CAP, 10/70 MFD/ 440V/ DUAL RD (M6)
CAP050400440CT	CAPACITOR 5/40/440V/DUAL RD (M2)
CAP050450440CT	CAPACITOR 5/45/440V/DUAL RD (M1, M3, M4, M5)
ZP49K5EPFV130	COMP,49400,208/230/60/1 (M6)
ZP25K5EPFV130	COMPRESSOR 25200, 208/230/60/1 (M2)
ZP31K5EPFV130	COMPRESSOR 31100, 208/230/60/1 (M3)
ZP34K5EPFV130	COMPRESSOR 34500, 208/230/60/1 (M4)
ZP39K5EPFV130	COMPRESSOR 39000, 208/230/60/1 (M5)
0131M00430	COND MOTOR 1/3 HP, 1 SP, 6 PL (M6)
0131M00061	COND MOTOR 1/4 HP, 1 SP, 8 PL (M2)
0131M00429	COND MOTOR 1/4 HP, 1 SP,6 PL (M3, M4, M5)
0131M00009P	COND MOTOR, 1/6 HP, 1 SP, 8 PL (M1)
CONT1P025024V	CONTACTOR 25 AMP, 1P, 24V (M1, M2, M3)
CONT1P030024V	CONTACTOR 30 AMP, 1P, 24V (M4)
CONT2P040024V	CONTACTOR 40 AMP, 2P, 24V (M5, M6)
0130M00074	CUT-OUT SWITCH, HIGH PRESSURE
0150M00008	FAN BLADE 22" TNT2203-25 (M1, M2)
0150G00002	FAN BLADE SWEPT-WING (M3, M4, M5, M6)
0131G00052	PROGRAMMED MOTOR (M6)
0131G00047	PROGRAMMED MOTOR (M1)
0131G00048	PROGRAMMED MOTOR (M2)
0131G00049	PROGRAMMED MOTOR (M3)
0131G00050	PROGRAMMED MOTOR (M4)
0131G00051	PROGRAMMED MOTOR (M5)
0130M00138	TRANSFORMER 208/230, 24V

Expanded Model Nomenclature

M1 - GPC1424M41AA
M2 - GPC1430M41AA
M3 - GPC1436M41AA
M4 - GPC1442M41AA
M5 - GPC1448M41AA
M6 - GPC1460M41AA

Cabinet Assembly

Image 1

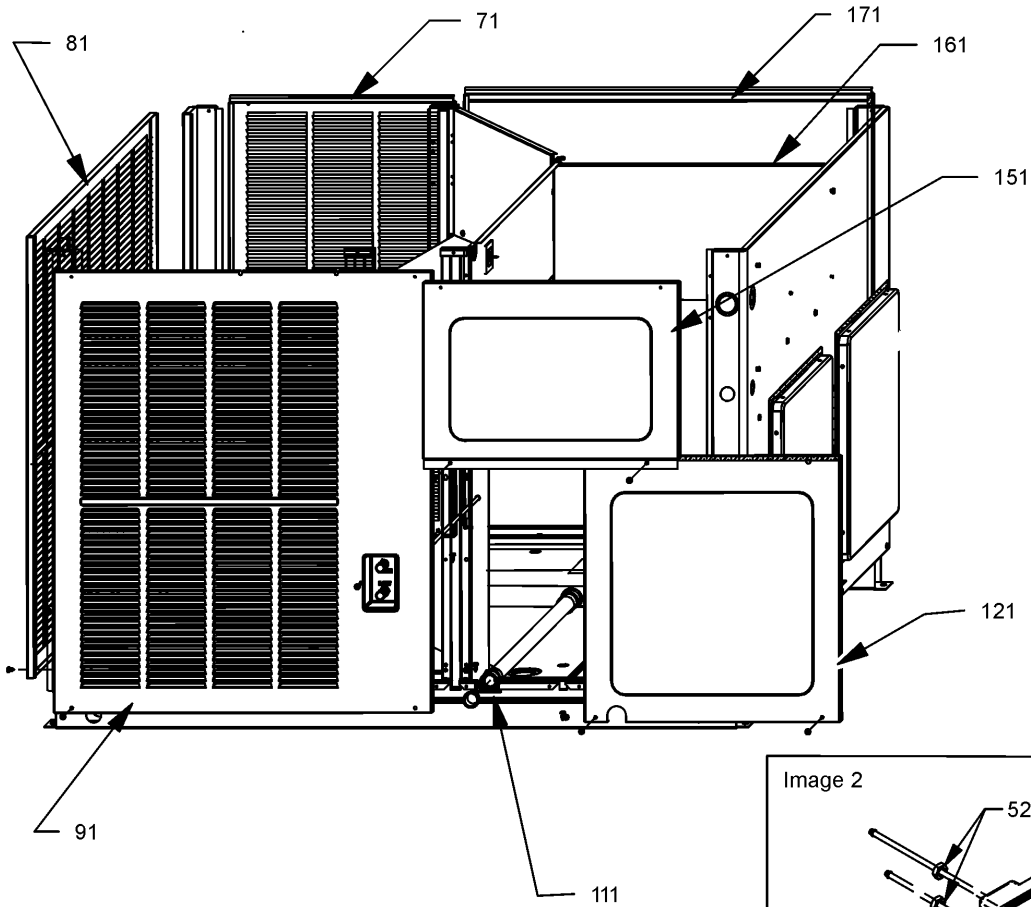
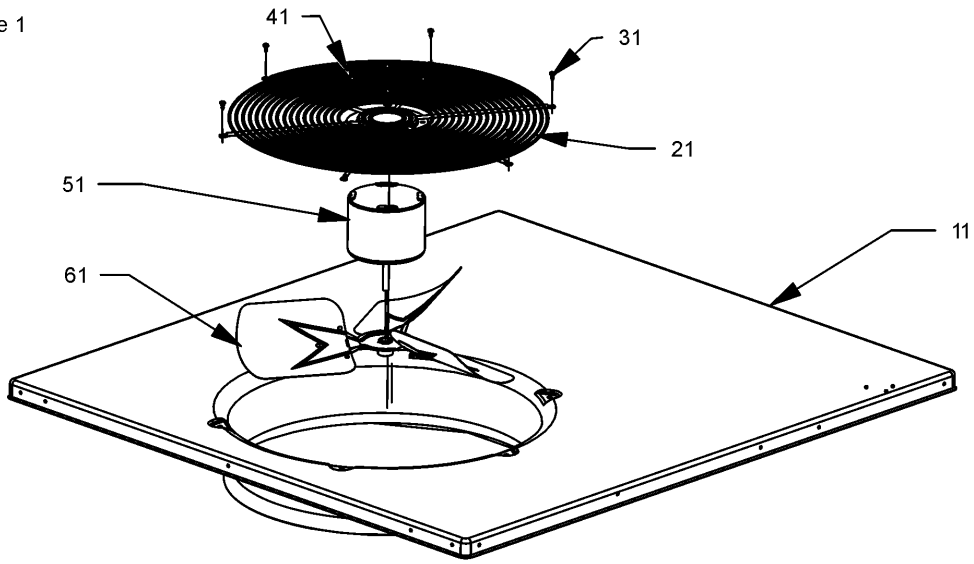
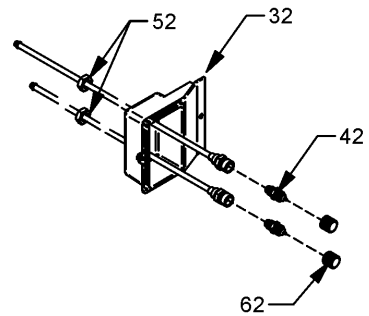


Image 2



Cabinet Assembly

Ref. Part No: No:	Description:	Ref. Part No: No:	Description:
-------------------	--------------	-------------------	--------------

Image 1:

11	0121G00156PDG	PNL, TOP, PNT
21	0152G00000	FAN GRILLE, RAISED
31	M0221817	SMALL SCREW (QTY 4)
41	0163M00006P	ACORN NUT 5/16 HEX BLACK (QTY 4)
51	0131M00430	COND MOTOR 1/3 HP, 1 SP, 6 PL (M6)
51	0131M00061	COND MOTOR 1/4 HP, 1 SP, 8 PL (M2)
51	0131M00429	COND MOTOR 1/4 HP, 1 SP, 6 PL (M3, M4, M5)
51	0131M00009P	COND MOTOR, 1/6 HP, 1 SP, 8 PL (M1)
61	0150M00008	FAN BLADE 22" TNT2203-25 (M1, M2)
61	0150G00002	FAN BLADE SWEPT-WING (M3, M4, M5, M6)
71	20467701PDG	LOUVERED PANEL, COND SIDE 32" (M1, M2, M4)
71	20467702PDG	LOUVERED PANEL, COND SIDE 40" (M5, M6)
71	0121G00465DG	PANEL, COND SIDE 32" (M3)
81	20464401PDG	LOUVERED PANEL, COND SIDE 32" (M1, M2, M3, M4)
81	20464402PDG	LOUVERED PANEL, COND SIDE 40" (M5, M6)
91	0121G00147PDG	LOUVERED PANEL 4 BANK 40", COMP SIDE (M6)
91	0121G00223DG	SOLID PANEL COMPRESSOR 32.5" (M1, M2, M3, M4)
91	0121G00224DG	SOLID PANEL COMPRESSOR 40" (M5)
111	0261G00000	DRAIN PIPE
121	0121G00165PDG	PNL, BLO, CNVRT, 32.5", PNT (M1, M2, M3, M4)
121	0121G00168PDG	PNL, BLO, CNVRT, 40", PNT (M5, M6)
151	0121G00213DG	CONTROL BOX PANEL
161	0121G00158	EVAP BLOCK-OFF 32.5" (M1, M2, M3, M4)
161	0121G00159	EVAP BLOCK-OFF 40" (M5, M6)
171	20464801PDG	BLOWER DOOR 32" (M1, M2, M3, M4)
171	20464806PDG	BLOWER DOOR 40" (M5, M6)
NS	17788000083F	PVC CONDUIT 8.25"

Image 2:

32	0161G00008	ACCESS-FITTING BOX
42	B1373315	ACCESS FITTING (QTY 2)
52	0163G00000P	FASTEST FITTING NUT (QTY 2)
62	0163M00175	CAP WITH O-RING (QTY 2)

Expanded Model Nomenclature

- | |
|-------------------|
| M1 - GPC1424M41AA |
| M2 - GPC1430M41AA |
| M3 - GPC1436M41AA |
| M4 - GPC1442M41AA |
| M5 - GPC1448M41AA |
| M6 - GPC1460M41AA |

Partition Panel/Compressor

Image 1

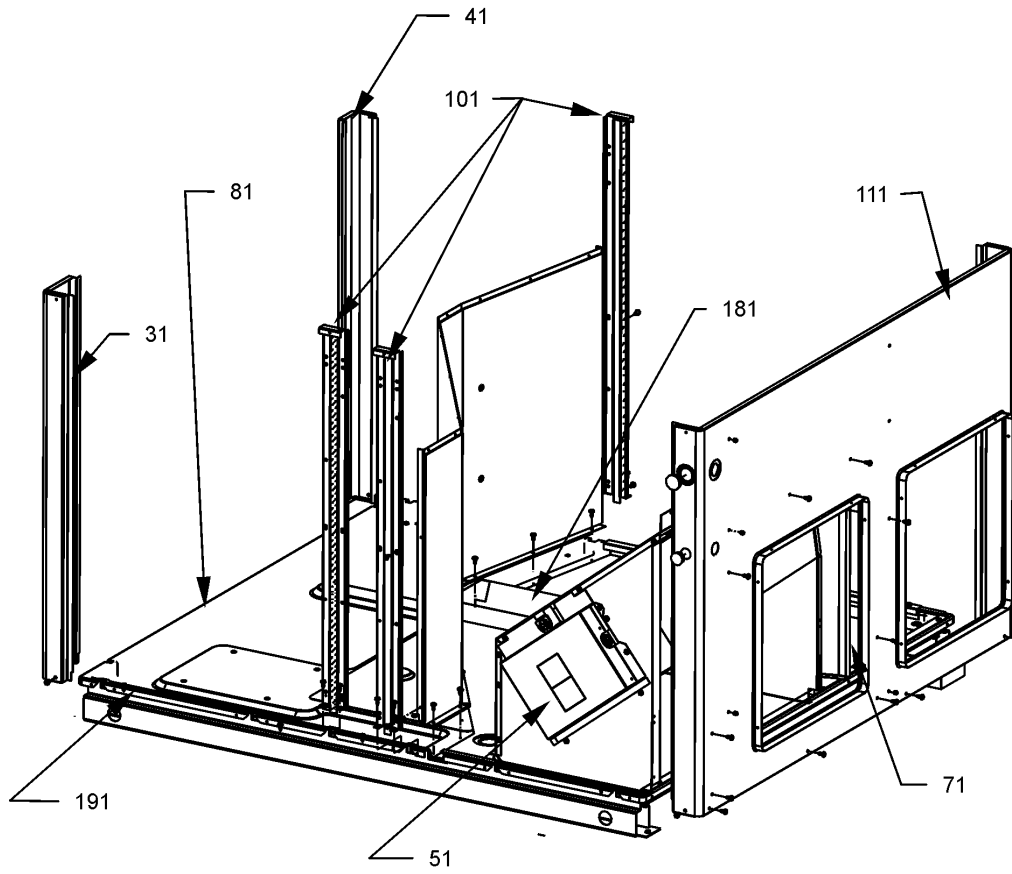
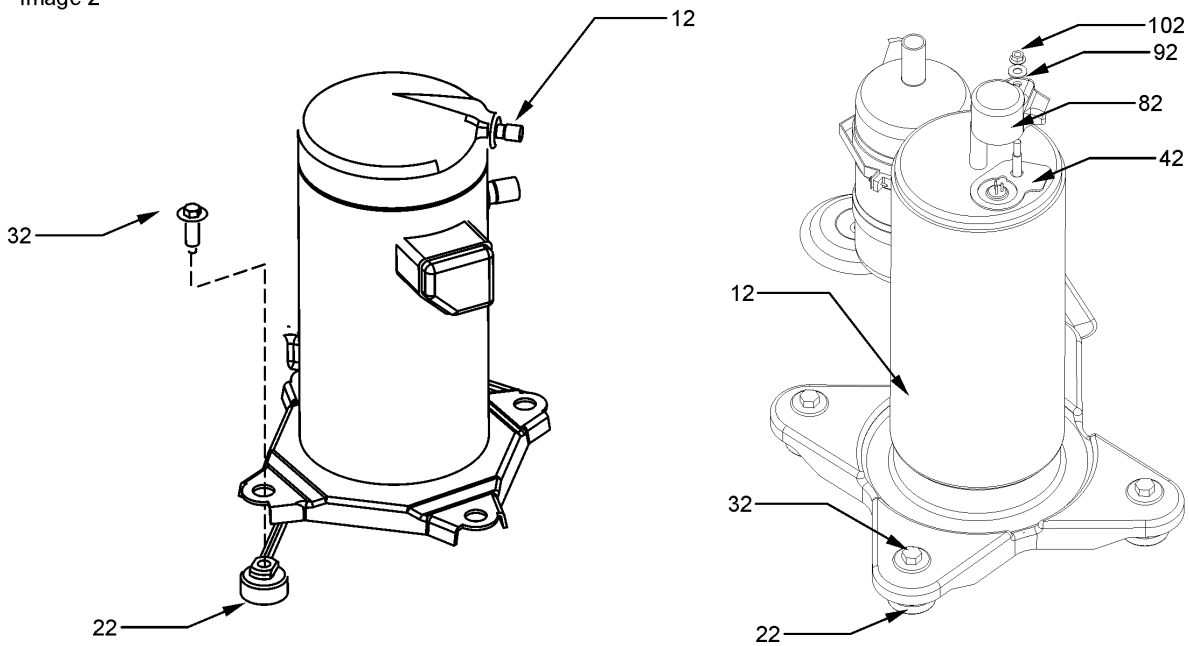


Image 2



Partition Panel/Compressor

Ref. Part No: No:	Description:	Ref. Part No: No:	Description:
-------------------	--------------	-------------------	--------------

Image 1:

31	20464201PDG	CORNER POST-COMP END 32" (M1, M2)
31	20464202PDG	CORNER POST-COMP END 40" (M5, M6)
31	0121G00453DG	CORNER-POST COMP END (M3, M4)
41	20464302PDG	CORNER POST-HAIRPIN END 40" (M5, M6)
41	0121G00454DG	CORNER-POST HPIN END (M1, M2, M3, M4)
51	0121G00528	COVER, HK (QTY 2)
71	0121G00158	EVAP BLOCK-OFF 32.5" (M1, M2, M3, M4)
71	0121G00159	EVAP BLOCK-OFF 40" (M5, M6)
81	0121G00444	BASEPAN, PACKAGE
101	0121G00460	POST-SUPPORT, SIDE (M1, M2, M3, M4)
101	0121G00462	POST-SUPPORT, SIDE (M5, M6)
111	0121G00440DG	PNL, DUCT, CNVRT 32.5" (M1, M2, M3, M4)
111	0121G00441DG	PNL, DUCT, CNVRT 40" (M5, M6)
181	0161G00003	PLASTIC DRIP PAN
191	0121G00290	BASE PAN RAIL (QTY 2)
NS	0121G00235	FAN BAFFLE

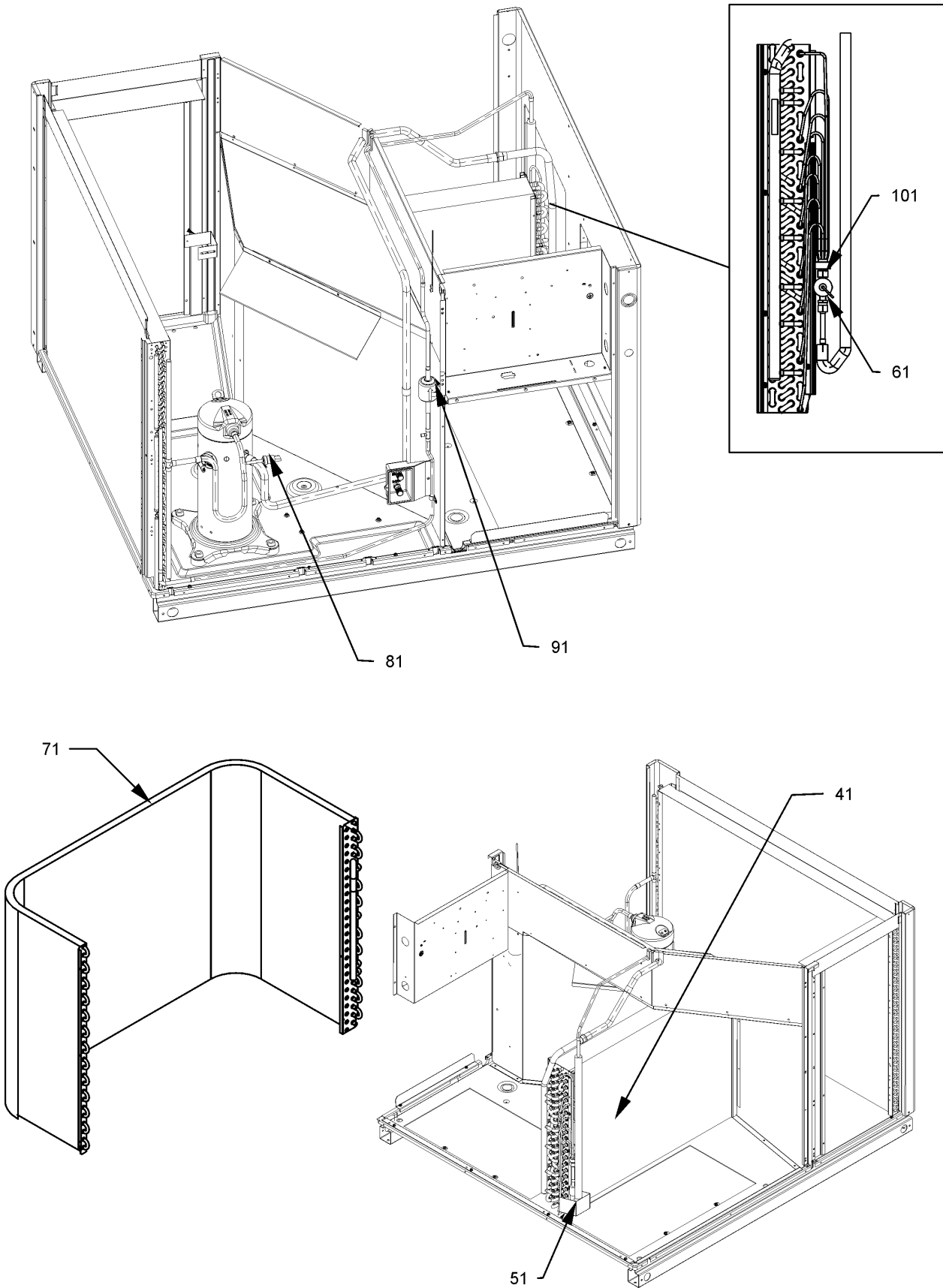
Image 2:

12	50N492ZV-ZAKM	2.0TONRECHI COMPR.4 LEGS (M1)
12	ZP49K5EPFV130	COMP,49400,208/230/60/1 (M6)
12	ZP25K5EPFV130	COMPRESSOR 25200, 208/230/60/1 (M2)
12	ZP31K5EPFV130	COMPRESSOR 31100, 208/230/60/1 (M3)
12	ZP34K5EPFV130	COMPRESSOR 34500, 208/230/60/1 (M4)
12	ZP39K5EPFV130	COMPRESSOR 39000, 208/230/60/1 (M5)
22	B1339533	COMPRESSOR GROMMET (M2, M3, M4, M5, M6)
22	60140209	GROMMET - RECHI COMPRESSOR (M1)
32	0163M00186	TF SHOULDER SCREW (M1)
32	M0221641	TF SHOULDER SCREW (M2, M3, M4, M5, M6)
42	60100107	TERMINAL COVER GASKET (M1)
82	60100317	TERMINAL COVER (M1)
92	60100201	WASHER - RECHI COMPRESSOR (M1)
102	60100401	TERMINAL NUT - RECHI COMP (M1)
NS	0159G00002	COMPRESSOR SCROLL HARNESS (M2, M3, M4, M5, M6)

Expanded Model Nomenclature

M1 - GPC1424M41AA
M2 - GPC1430M41AA
M3 - GPC1436M41AA
M4 - GPC1442M41AA
M5 - GPC1448M41AA
M6 - GPC1460M41AA

Coil/Evap Assembly



Coil/Evap Assembly

Ref. Part No:	No:	Description:	Ref. Part No:	No:	Description:
Image 1:					
41	0202G00504	EVAP COIL ASSY (M3)			
41	0202G00507	EVAP COIL ASSY (M5)			
41	0202G00537	EVAP COIL ASSY (M6)			
41	0202G00619	EVAP COIL ASSY (M1)			
41	0202G00620	EVAP COIL ASSY (M2)			
41	0202G00621	EVAP COIL ASSY (M4)			
51	0121G00509	DRIP SHIELD			
61	0151M00050	VALVE, NXT (M6)			
71	0201G00139	COND COIL TUBING ASSY (M5)			
71	0201G00142	COND COIL TUBING ASSY (M1, M2)			
71	0201G00249	COND COIL TUBING ASSY (M3)			
71	0201G00262	COND COIL TUBING ASSY (M4)			
71	0201G00340	COND COIL TUBING ASSY (M6)			
81	0130M00074	CUT-OUT SWITCH, HIGH PRESSURE			
91	B1219212	SINGLE-FLOW FILTER DRIER, STEEL (M1, M2, M3)			
91	B1219225	SINGLE-FLOW FILTER DRIER, STEEL (M4, M5, M6)			
101	0162M00276	FLOWRATOR (M6)			
101	0162M00225	FLOWRATOR .059 (M1)			
101	0162M00286	FLOWRATOR .063 (M2)			
101	0162M00227	FLOWRATOR .070 (M3)			
101	0162M00229	FLOWRATOR .072 (M4)			
101	0162M00230	FLOWRATOR .076 (M5)			

Expanded Model Nomenclature

M1 - GPC1424M41AA
M2 - GPC1430M41AA
M3 - GPC1436M41AA
M4 - GPC1442M41AA
M5 - GPC1448M41AA
M6 - GPC1460M41AA

Control Panel/Blower Assembly

Image 1

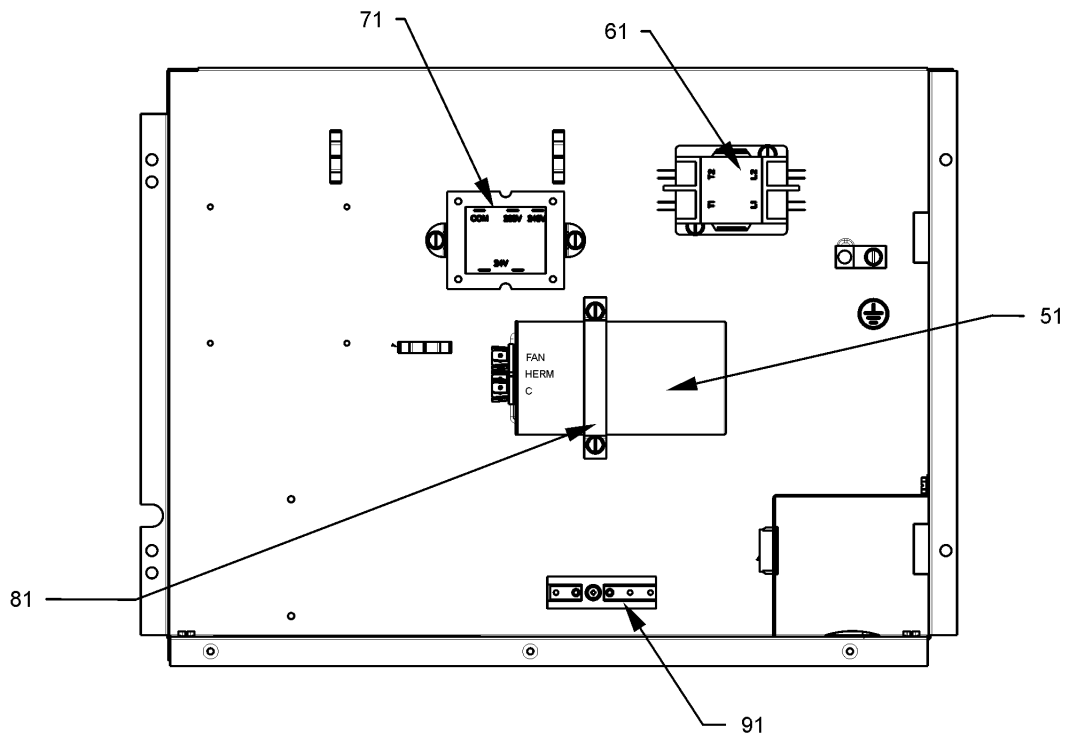
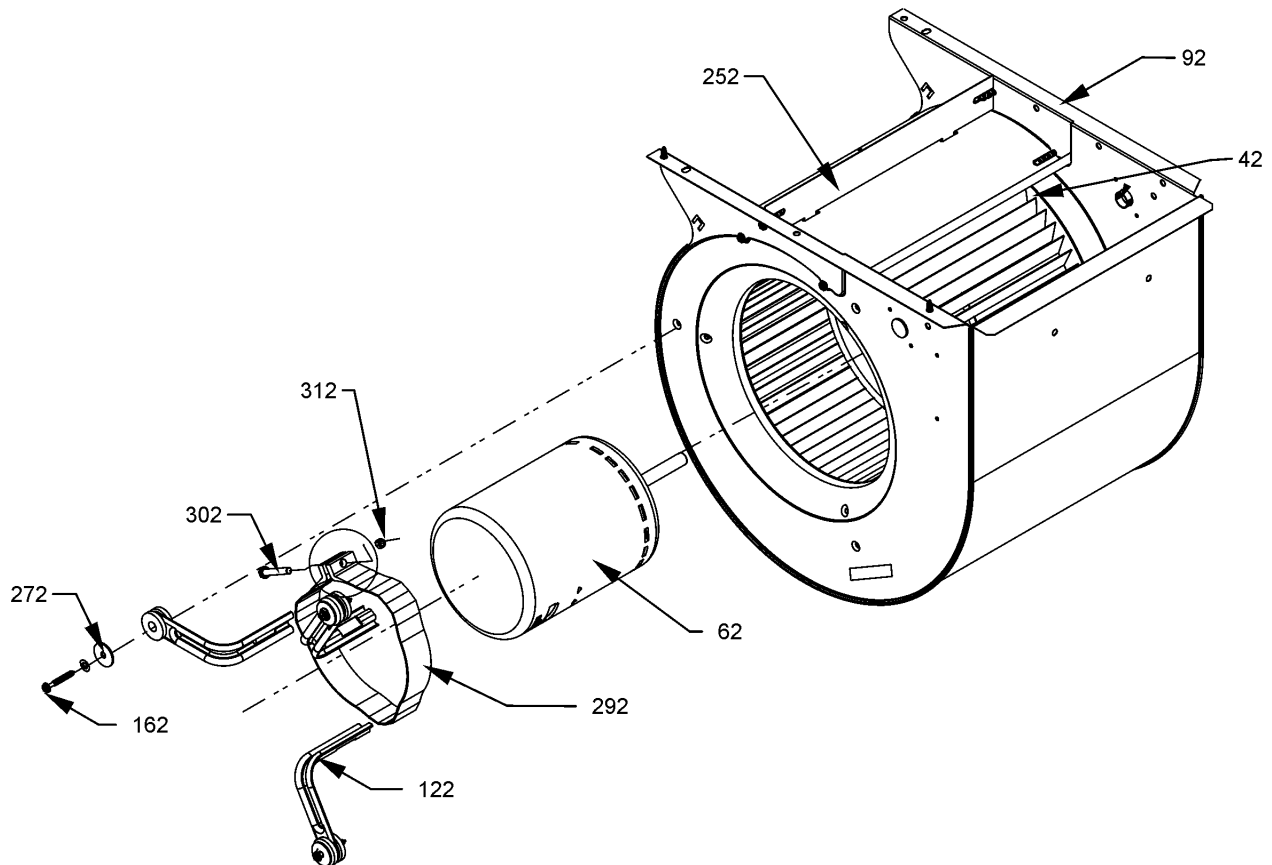


Image 2



Control Panel/Blower Assembly

Ref. Part No: No:	Description:	Ref. Part No: No:	Description:
-------------------	--------------	-------------------	--------------

Image 1:

51	CAP100700440CT	CAP, 10/70 MFD/ 440V/ DUAL RD (M6)
51	CAP050400440CT	CAPACITOR 5/40/440V/DUAL RD (M2)
51	CAP050450440CT	CAPACITOR 5/45/440V/DUAL RD (M1, M3, M4, M5)
61	CONT1P025024V	CONTACTOR 25 AMP, 1P, 24V (M1, M2, M3)
61	CONT1P030024V	CONTACTOR 30 AMP, 1P, 24V (M4)
61	CONT2P040024V	CONTACTOR 40 AMP, 2P, 24V (M5, M6)
71	0130M00138	TRANSFORMER 208/230, 24V
81	20520901	CAPACITOR STRAP
91	802007090	TERM BOARD
NS	0259G00148	12-PIN FEMALE HARNESS
NS	0259G00181	WIRE HARNESS ASSY

Image 2:

42	D6723303	BLOWER WHEEL
62	0131G00047	PROGRAMMED MOTOR (M1)
62	0131G00048	PROGRAMMED MOTOR (M2)
62	0131G00049	PROGRAMMED MOTOR (M3)
62	0131G00050	PROGRAMMED MOTOR (M4)
62	0131G00051	PROGRAMMED MOTOR (M5)
62	0131G00052	PROGRAMMED MOTOR (M6)
92	0271G00024	BLOWER HOUSING ASSY 10 X 9
122	B1376857	MOTOR MOUNT ARM (QTY 3)
162	M0250565	TC SCREW 1.25" (QTY 3)
252	764742	BLOWER BLOCK-OFF
272	B1392918	WASHER, FLAT 1/4 ID X 1 OD (QTY 3)
292	0121M00038	MOTOR MOUNT BAND
302	B1393323	MACHINE SCREW HWH 1/4-20 X 1-1/2 BZ
312	B1393800	LOCKNUT, NYLON, INSERT 1/4, 20
NS	0259G00155	BLOWER HARNESS

Expanded Model Nomenclature

M1 - GPC1424M41AA
M2 - GPC1430M41AA
M3 - GPC1436M41AA
M4 - GPC1442M41AA
M5 - GPC1448M41AA
M6 - GPC1460M41AA